



PL-1606
Sandbar Series
Porcelain Sink

Features

- Circular Basin
- Overflow Drain
- Nonporous - Hygienic

Material

- Vitreous China



Installation

- Undermount

Available Color/Finishes
Intended for reference only

Color	Description
<input type="checkbox"/>	White

Codes/Standards

- ADA Compliant

6140 Ulmerton Road Clearwater, FL 33760

Phone: (727) 388-9895

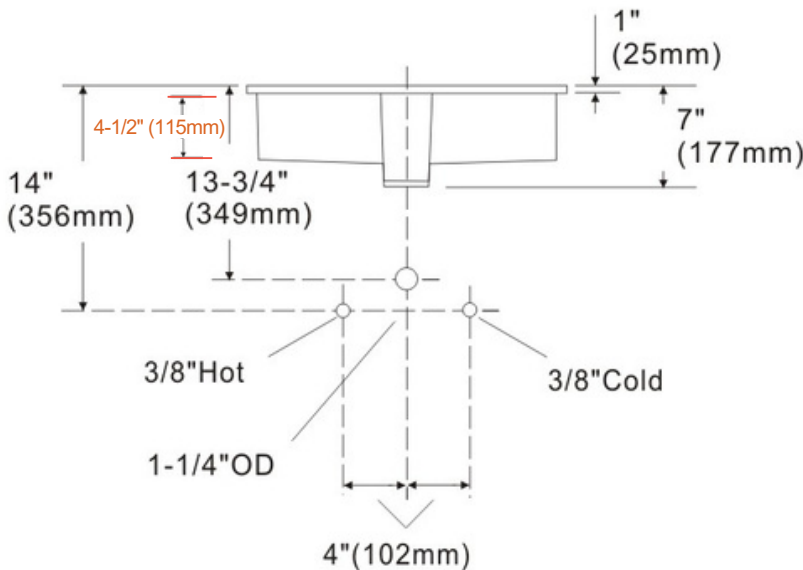
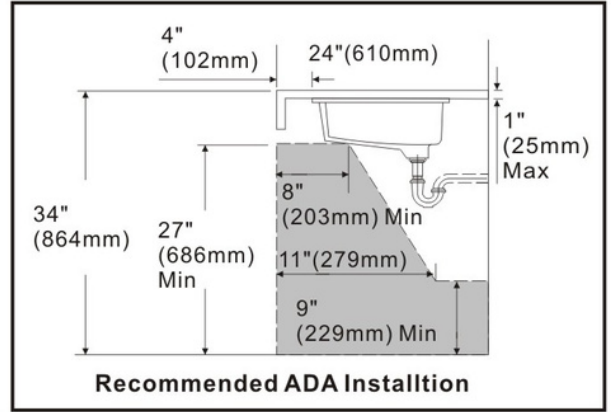
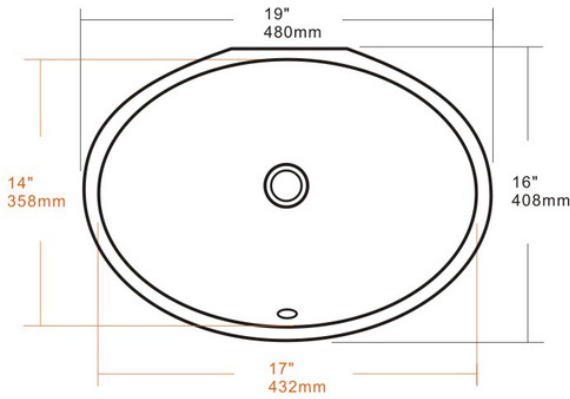
Fax: (727) 362-1281

For the most current Specification Sheet, go to www.pelicansinks.com





PL-1606
Sandbar Series
 Porcelain Sink



Technical Information

All product dimensions are nominal

Interior Measurements: 17" x 14" x 4 1/2"

Exterior Measurements: 19" x 16" x 7"

Bowl Configuration: Single

Finish: Vitreous China

Installation Information

Install this product according to the installation instructions.

Limited Lifetime Warranty

See website for detailed warranty information.

6140 Ulmerton Road Clearwater, FL 33760

Phone: (727) 388-9895

Fax: (727) 362-1281

For the most current Specification Sheet, go to www.pelicansinks.com

